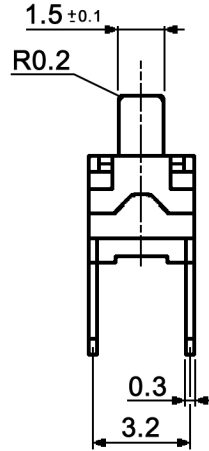
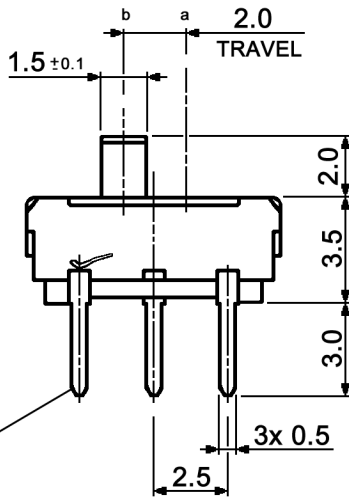
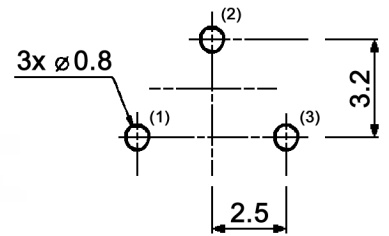
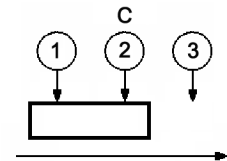


HOLE LAYOUT TOP VIEW ± 0.05



Terminal No. ①

CIRCUIT DIAGRAM



C: COMMON PIN
BOTTOM VIEW

Specifications:

- Contact rating: 0.1A, 30V DC
- Contact resistance: 70mOhm max.
- Insulation resistance: 100MOhm min. at 500V DC for 1 minute
- Dielectric strength: 500V AC (50/60Hz, 2mA) for 1 minute
- Operating temperature: -10°C to +60°C
- Mechanical life: 15 000 cycles
- Operating force: 200 +/-150gf
- Soldering conditions: wave-soldering: 260 +/-5°C, 5 +/-1sec.
- Material: Terminal: brass strip, silver plated
Cover: stainless steel, washing
Slider: PA46, ivory
Contact plate: phosphor bronze, silver plated
Case: PA46, black



| | | |
|---|-------|------|
| Tolerances: up to 10: ±0.2mm above 10-50: ±0.3mm | Date | Name |
| | 03/09 | dr |
| | | |
| | | |
| | | |
| | | |
| | | |
| | | |
| | | |
| | | |
| Modifications | Date | Name |

MMP 121

30 17 58

Page

1/1

knitter-switch